



Systems Reference Library

IBM System/360 Data Communications and Acquisition Configurator

This configurator presents the various possible configurations for the IBM 2701 Data Adapter Unit and the IBM 2702 Transmission Control. Examples are given of the adapters and machine features needed for specific configurations.

Included are the following configurations:

	<u>Page</u>
Configurator for 2701 Low Speed Communication Lines	3
Configurator for 2701 Synchronous Communication Lines	5
Configurator for Combinations of 2701 Low Speed and Synchronous Communication Lines	7
Configurator for 2701 Data Acquisition . . .	9
Configurator for Combinations of 2701 Data Acquisition and Communication Lines	11
Configurator for the IBM 2702	13
Configurator for a 2701/1030 System . . .	15
Configurator for a 2702/1030 System . . .	17



MAJOR REVISION (October, 1964)

This edition, Form A22-6824-1, obsoletes
Form A22-6824-0.

Copies of this and other IBM publications can be obtained through IBM Branch Offices.
Address comments concerning the contents of this publication to:
IBM Corporation, Customer Manuals, Dept. B98, PO Box 390, Poughkeepsie, N. Y. 12602

Configurator for 2701 Low Speed Communication Lines

Terminals	Transmission Adapter (1 per Line)
IBM 1050, 1060 or 1070	IBM Terminal Adapter Type I <div style="border: 1px dashed black; padding: 2px; display: inline-block;">IBM Line Adapter Feature or Automatic Call Feature</div>
IBM 1030	IBM Terminal Adapter Type II <div style="border: 1px dashed black; padding: 2px; display: inline-block;">IBM Line Adapter Feature</div>
IBM 1050 (Telegraph Connection)	IBM Telegraph Adapter
AT&T 83B2 Selective Calling Lines or Western Union Plan 115A Outstations	Telegraph Adapter Type I
Teletype Models 33 or 35	Telegraph Adapter Type II <div style="border: 1px dashed black; padding: 2px; display: inline-block;">Automatic Call Feature</div>
World Trade Telegraph Terminals	World Trade Telegraph Adapter

Example

Desired:

- One IBM 1050 Line
- One Teletype Model 35 Line with Automatic Call Capability
- One IBM 1030 Line

Refer to **IV**

Required:

- One IBM Terminal Adapter Type I
- One Telegraph Adapter Type II with Automatic Call Feature
- One IBM Terminal Adapter Type II
- Two Expansion Features
- One Expanded Capability Feature

— Specifies a Channel Connection

2701 Data Adapter Unit

I For one line with or without an Automatic Call Feature*

Required:
One Transmission Adapter

* The Automatic Call Feature is an optional Feature available on some of the Transmission Adapters (See table at left)

II For two lines, neither requiring an Automatic Call Feature

Required:
Two Transmission Adapters
One Expansion Feature

III For two lines with one or both requiring an Automatic Call Feature

Required:
Two Transmission Adapters
One Expansion Feature
One Expanded Capability Feature

IV For three lines with none, one, two, or all three requiring an Automatic Call Feature

Required:
Three Transmission Adapters
Two Expansion Features
One Expanded Capability Feature

V For four lines none, of which requires an Automatic Call Feature **

Required:
Four Transmission Adapters
Three Expansion Features
One Expanded Capability Feature

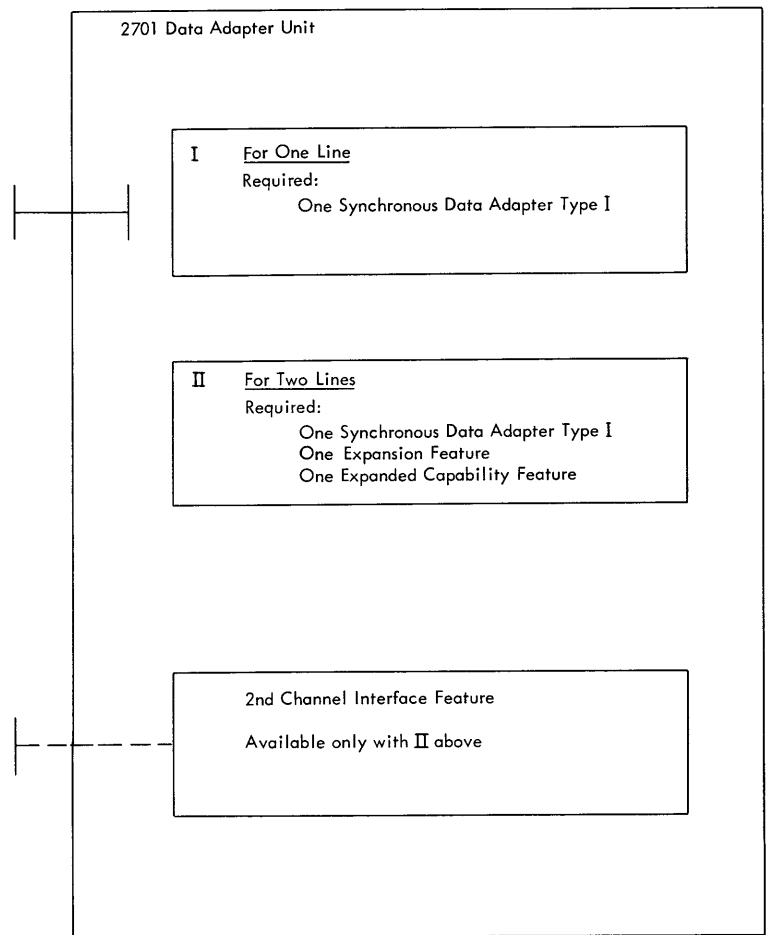
** A four line requirement precludes the use of the Automatic Call Feature

2nd Channel Interface Feature available with **II**, **III**, **IV** or **V** above. When ordered with **II**, the Expanded Capability Feature is also required



Configurator for 2701 Synchronous Communication Lines

Synchronous Terminals	Synchronous Transmission Adapter
IBM 1009 1013 7701 7702 7710 7711 7740 7750	Synchronous Data Adapter Type I <ul style="list-style-type: none"> Automatic Call Feature Dual Communication Interface Internal Clock Feature
System/360 with a 2701 having a Synchronous Data Adapter Type I	



Example

Desired:

Two Synchronous Lines, one with Automatic Call Feature, the other Connecting to Two Communications Lines and each operating on a separate channel

Refer to II above

Required:

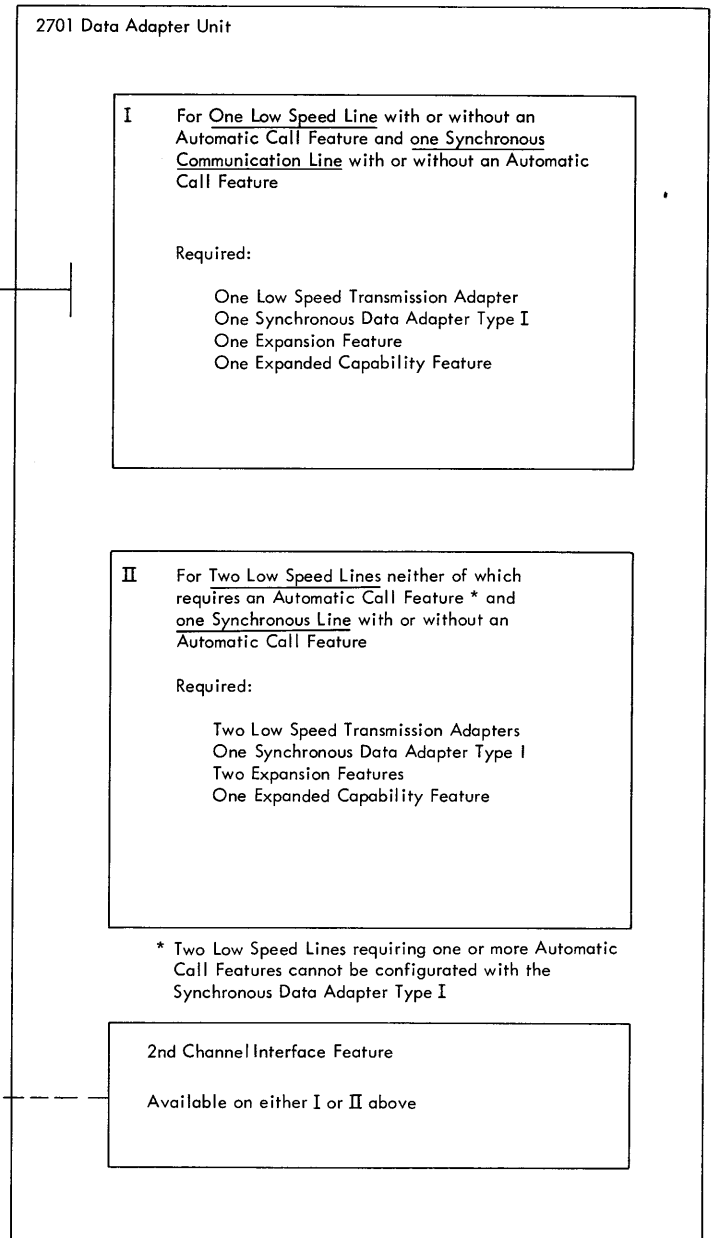
- One Synchronous Data Adapter Type I with Automatic Call Feature
- One Synchronous Data Adapter Type I with Dual Communication Interface Feature
- One Expansion Feature
- One Expanded Capability Feature
- One 2nd Channel Interface Feature

— Specifies a Channel Connection

Configurator for Combinations of 2701 Low Speed and Synchronous Communication Lines

Low Speed Terminals	Low Speed Transmission Adapter
IBM 1050, 1060 or 1070	IBM Terminal Adapter Type I IBM Line Adapter Feature or Automatic Call Feature
IBM 1030	IBM Terminal Adapter Type II IBM Line Adapter Feature
IBM 1050 (Telegraph Connection)	IBM Telegraph Adapter
AT&T 83B2 Selective Calling Lines or Western Union Plan 115A Outstations	Telegraph Adapter Type I
Teletype Models 33 or 35	Telegraph Adapter Type II Automatic Call Feature
World Trade Telegraph Terminals	World Trade Telegraph Adapter

Synchronous Terminals	Synchronous Transmission Adapter
IBM 1009 1013 7701 7702 7710 7711 7740 7750	Synchronous Data Adapter Type I Automatic Call Feature Dual Communication Interface Internal Clock Feature
System/360 with a 2701 having a Synchronous Adapter Type I	



Example

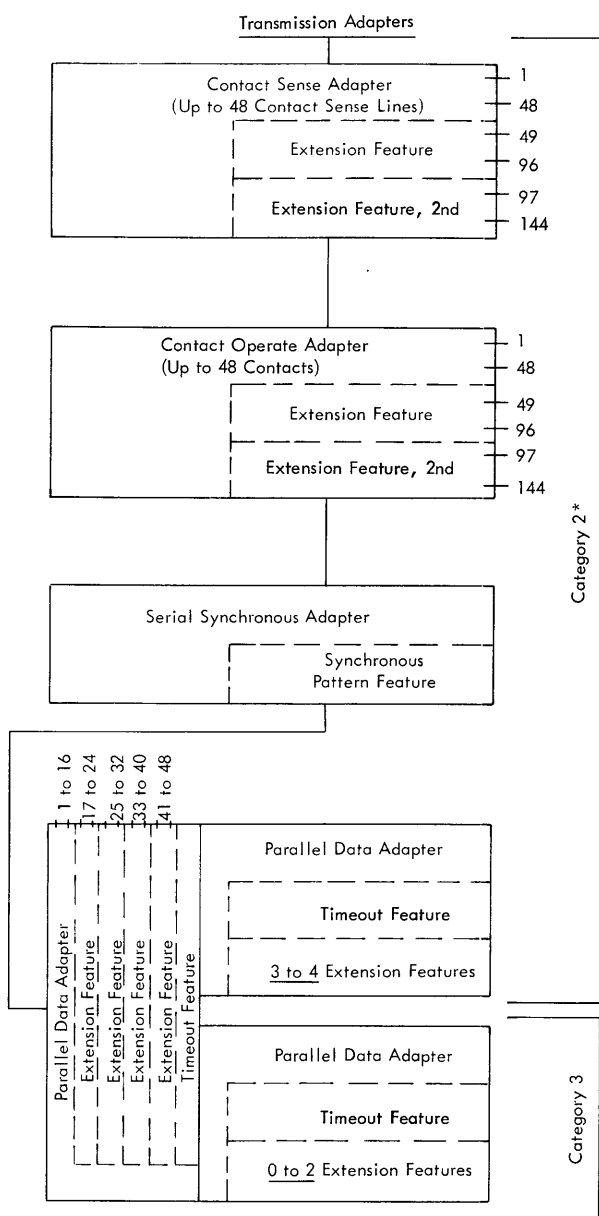
Desired:
One IBM 1050 Line, one 1030 Line and one Synchronous Line, the latter requiring an Automatic Calling Capability and operating on a different channel than the Low Speed Lines

Refer to II above

Required:
One IBM Terminal Adapter Type I
One IBM Terminal Adapter Type II
One IBM Synchronous Data Adapter Type I with Automatic Call Feature
Two Expansion Features
One Expanded Capability Feature
One 2nd Channel Interface Feature

— Specifies a Channel Connection

Configurator for 2701 Data Acquisition



* The synchronous adapter type 1, which normally is included in Category 2, and Category 1 adapters (Low speed communications) are not included in this Configurator.

Example

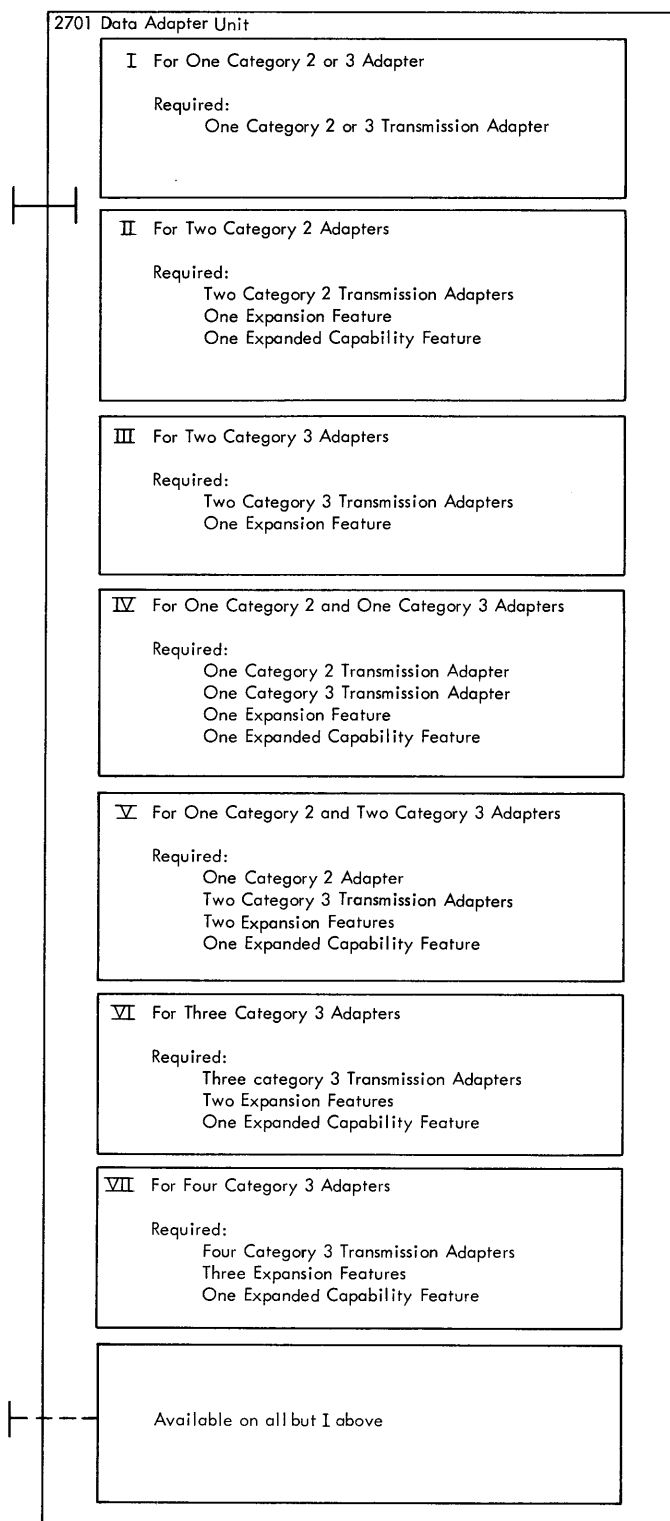
Desired:

133 Contact Sense Lines and 94 Contact Operate Lines

Refer to II

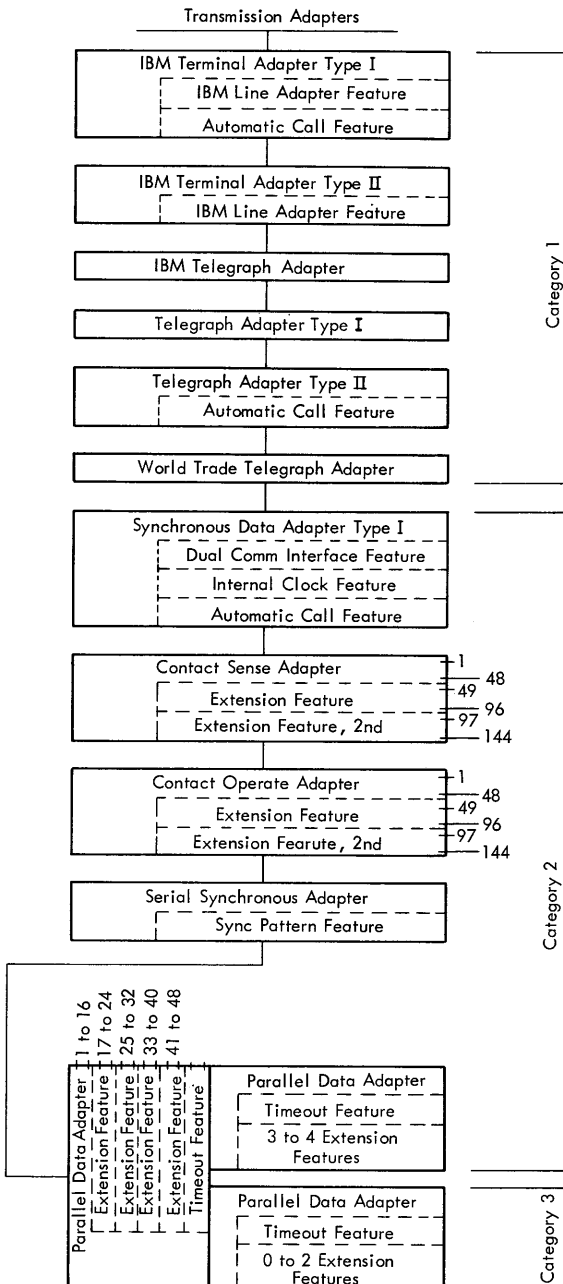
Required:

- One Contact Sense Adapter with Two Extension Features
- One Contact Operate Adapter with One Extension Feature
- One Expansion Feature
- One Expanded Capability Feature



— Specifies a Channel Connection

Configurator for Combinations of 2701 Data Acquisition Connections and Communication Lines



Example

Desired:

One 1050 Line with Automatic Call Feature and a 40 bit wide Parallel Data connection each operating on a separate channel

Refer to I

Required:

- One IBM Terminal Adapter Type I with the Automatic Call Feature
- One Parallel Data Adapter with three Extension Features
- One Expansion Feature
- One Expanded Capability Feature
- One 2nd Channel Interface Feature

2701 Data Adapter Unit

I For One Category 1 Adapter with or without an Automatic Call Feature and One Category 2 or Category 3 Adapter

Required:

- One Category 1 Adapter
- One Category 2 or 3 Adapter
- One Expansion Feature
- One Extended Capability Feature

II For One Category 1 Adapter with or without an Automatic Call Feature and Two Category 3 Adapters.

Required:

- One Category 1 Adapter
- Two Category 3 Adapters
- Two Expansion Features
- One Expanded Capability Feature

III For Two Category 1 Adapters, neither with an Automatic Call Feature and Two Category 3 Adapters.

Required:

- Two Category 1 Adapters
- One Category 2 or 3 Adapter
- Two Expansion Features
- One Expanded Capability Feature

IV For Two Category 1 Adapters, neither with an Automatic Call Feature and Two Category 3 Adapters.

Required:

- Two Category 1 Adapters
- Two Category 3 Adapters
- Three Expansion Features
- One Expanded Capability Feature

V For One Category 2 Adapter and One Category 3 Adapter.

Required:

- One Category 2 Adapter
- One Category 3 Adapter
- One Expansion Feature
- One Expanded Capability Feature

VI For One Category 2 Adapter with Two Category 3 Adapters.

Required:

- One Category 2 Adapter
- Two Category 3 Adapters
- Two Expansion Features
- One Expanded Compatibility Feature

VII For Two Category 2 Adapters.

Required:

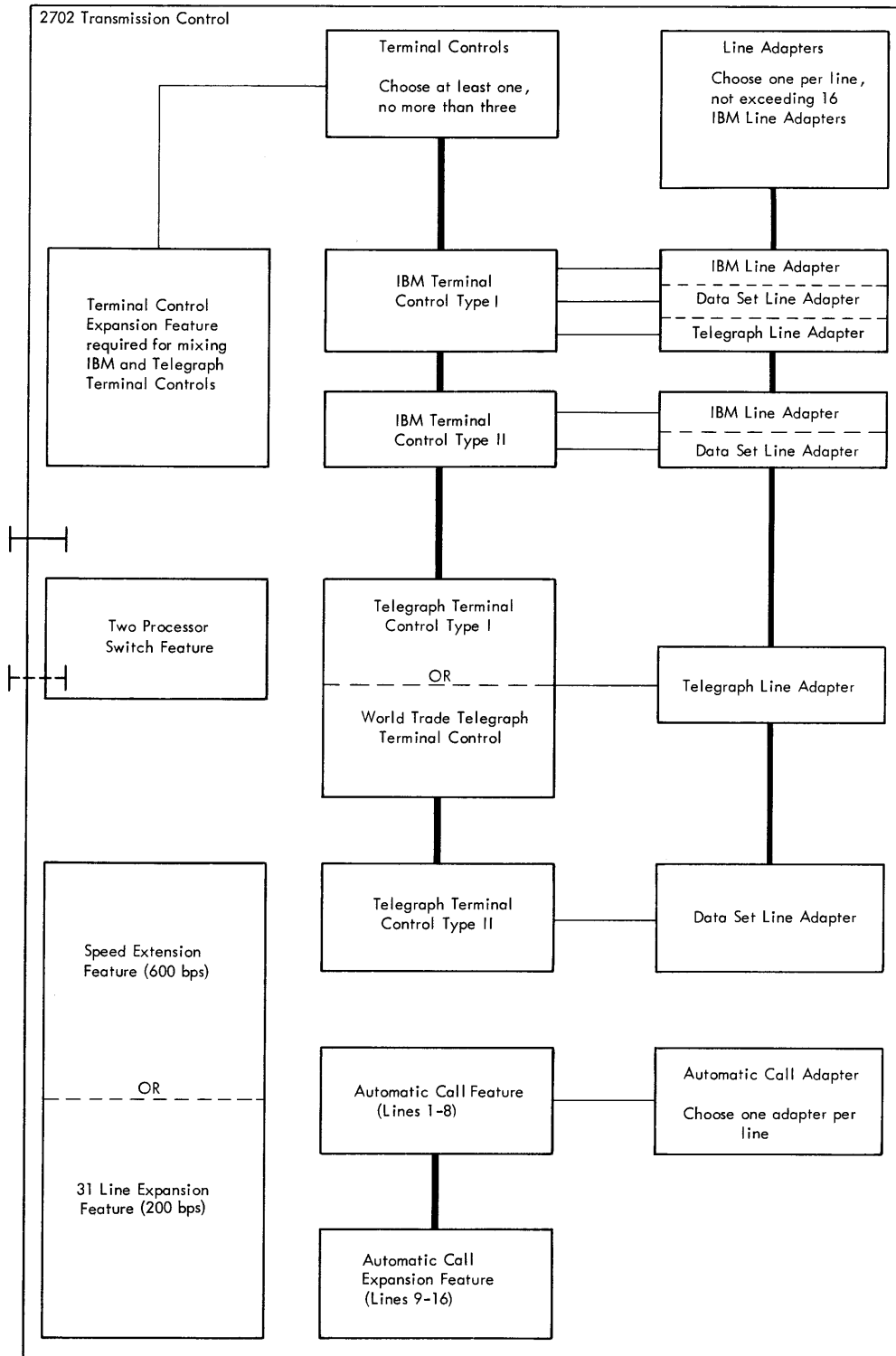
- Two Category 2 Adapters
- One Expansion Feature
- One Expanded Capability Feature

* 2nd Channel Interface Feature

Requires Expanded Capability Feature
Available on all of the above

— Specifies a Channel Connection

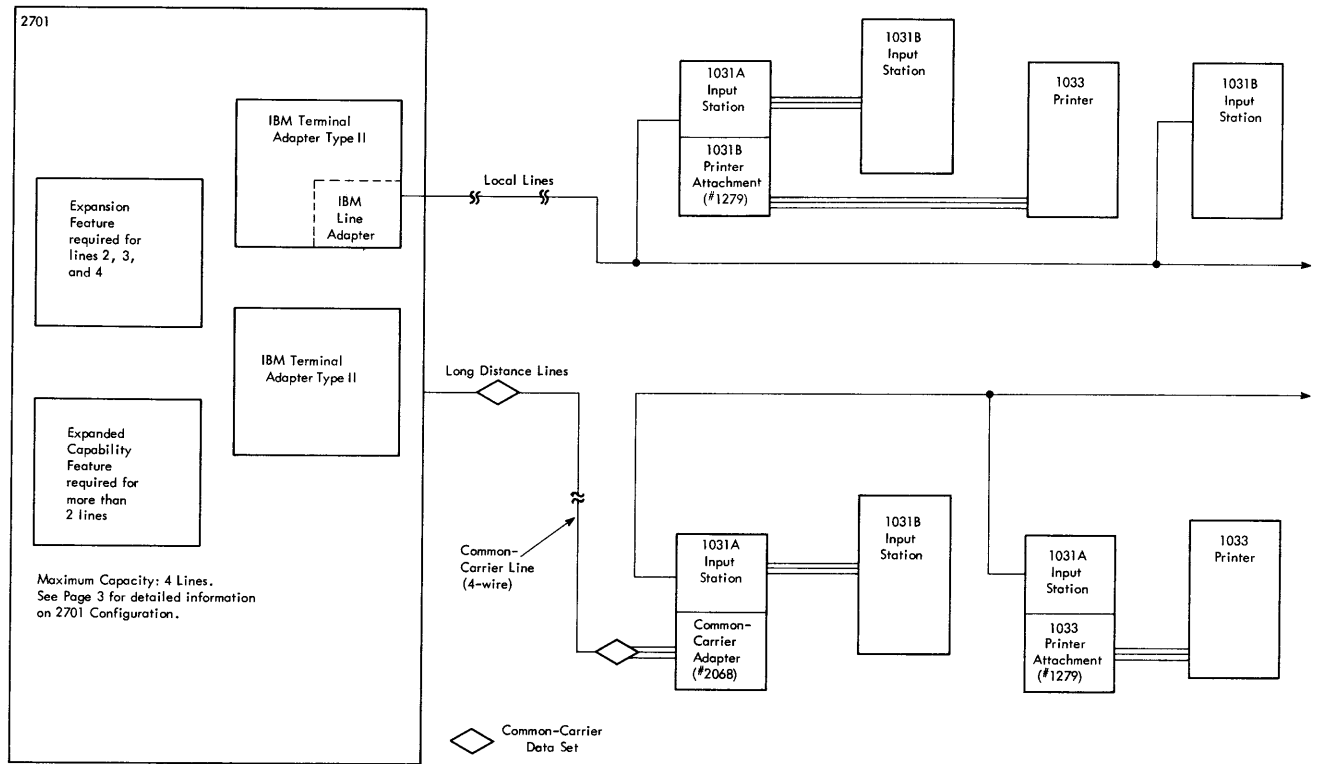
Configurator for IBM 2702



Note: The 2702 can be attached to IBM System/360 Model 30, 40, or 50.

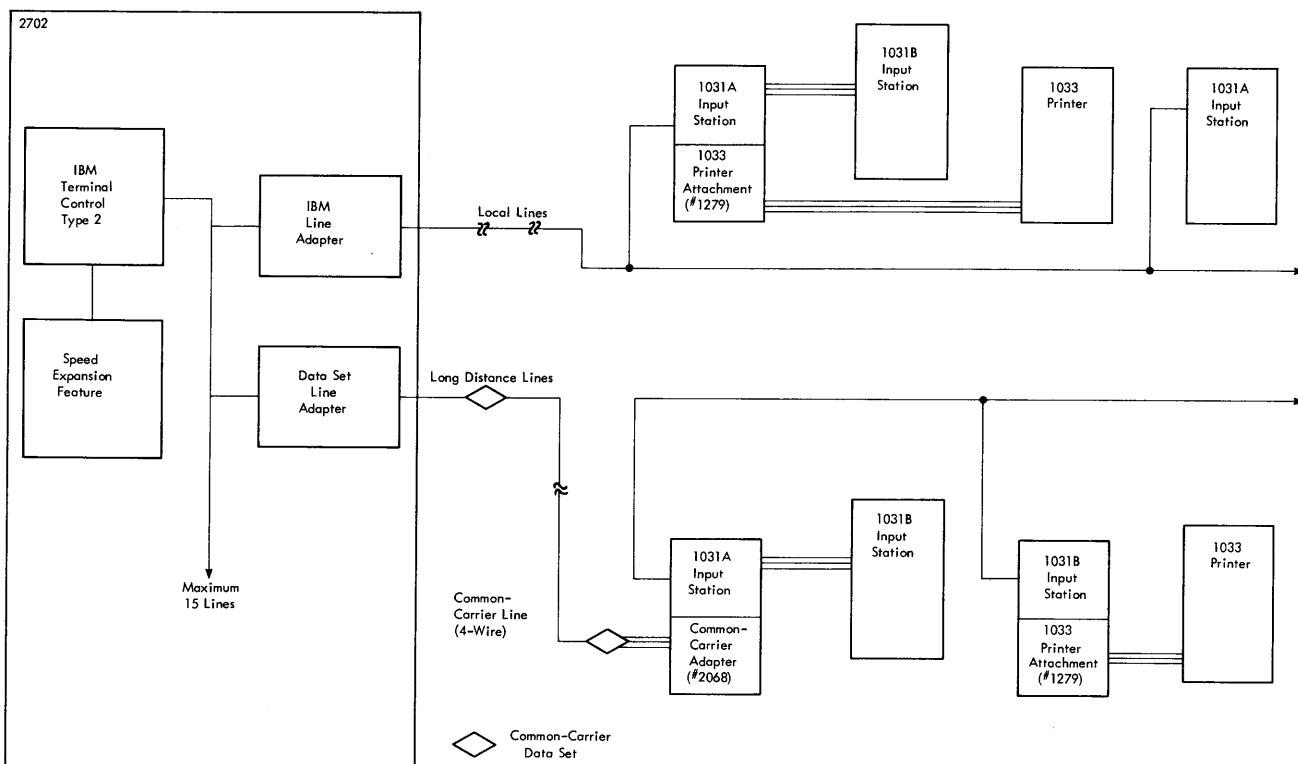
— Specifies a Channel Connection

Configurator for a 2701/1030 System





Configurator for a 2702/1030 System





**International Business Machines Corporation
Data Processing Division
112 East Post Road, White Plains, N. Y. 10601**